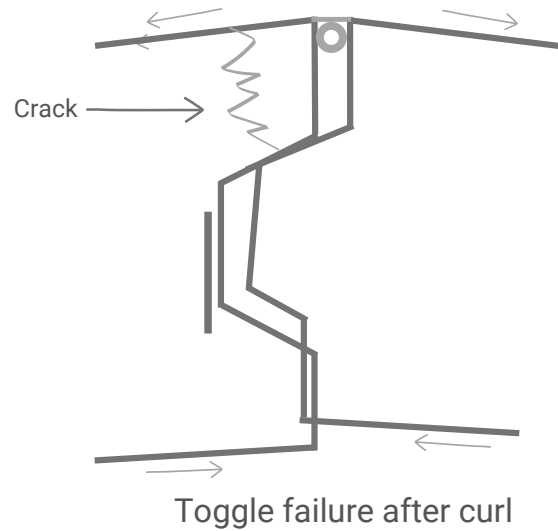
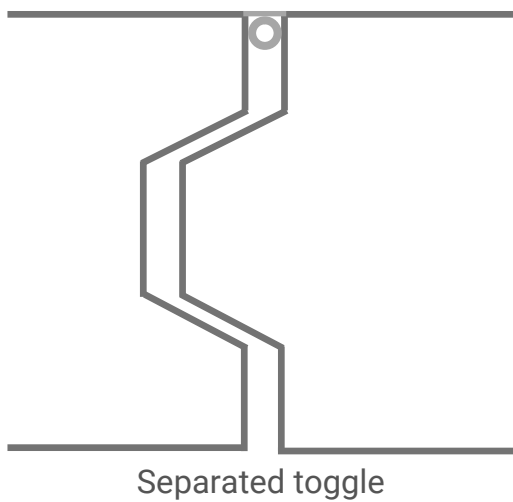
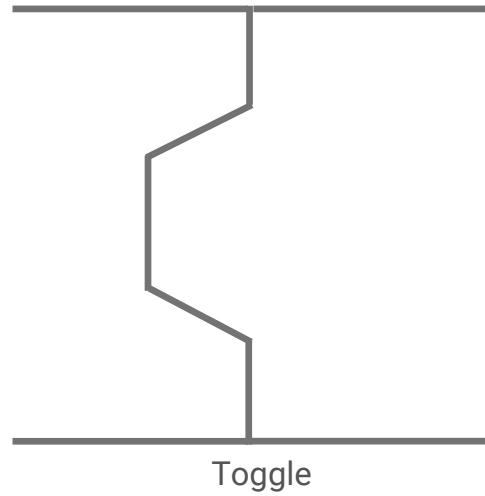
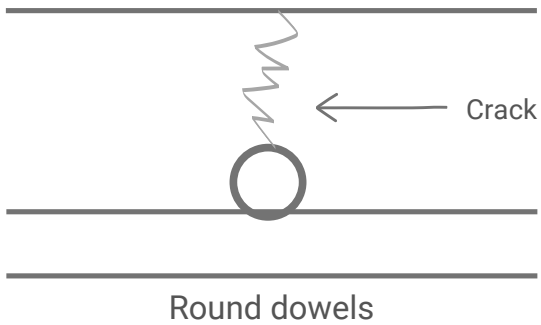


Comparison of common joint systems



Octodowel superiority

